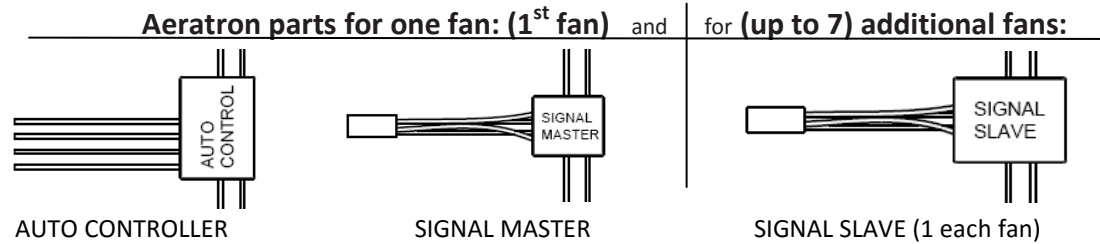
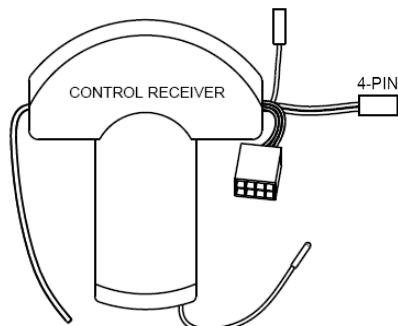
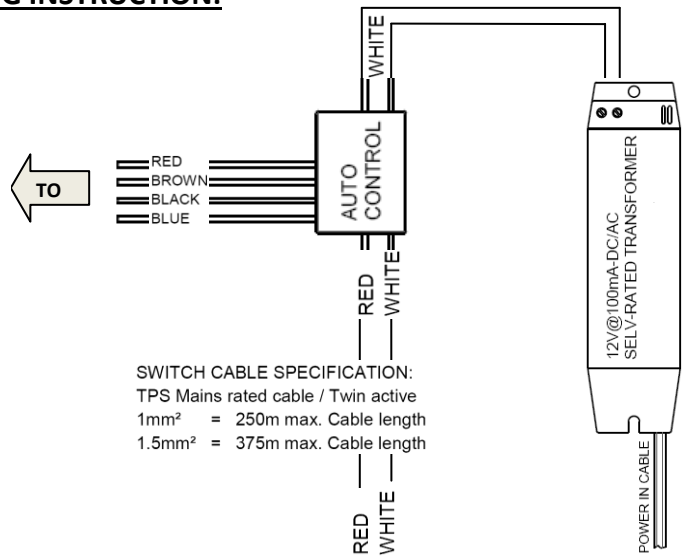
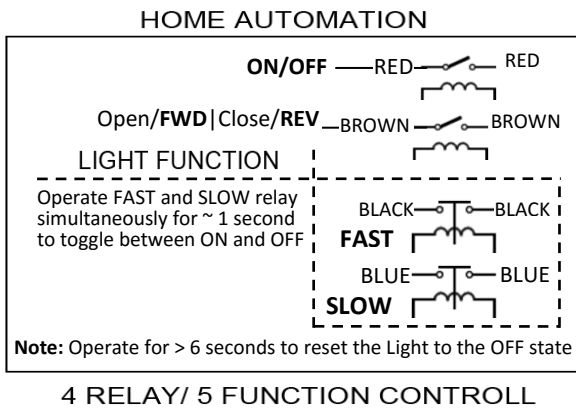


Aeratron™ AE-Ceiling Fan Automation control manual:

NOTE: Automation control must be installed by a licensed and qualified electrician.
Extra low Voltage (ELV) switching devices are suitable.



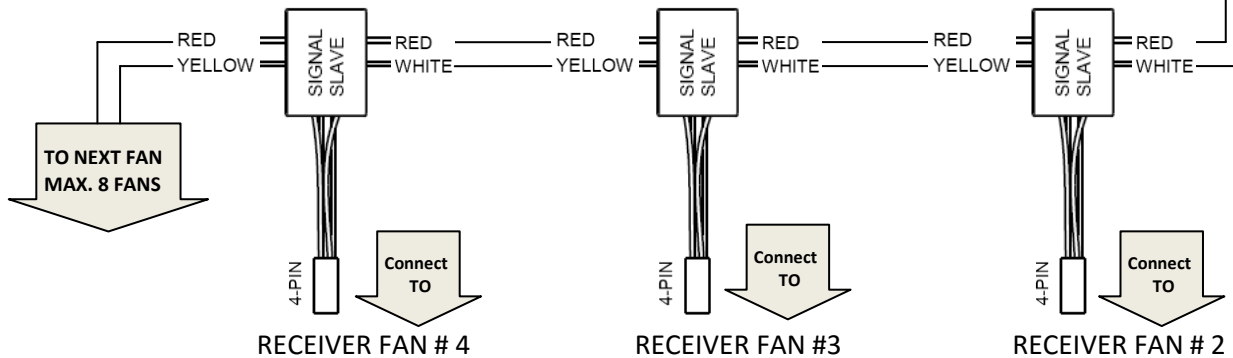
WIRING INSTRUCTION:



FAN # 1

USE SIGNAL MASTER FOR FAN # 1 AND THE 1st OF MULTIPLE FANS

-----USE SIGNAL SLAVE TO CONTROL MULTIPLE FANS.-----



For more information and product warranty, please refer to the Aeratron™ Ceiling Fan user manual.

IF THERE ARE ANY PROBLEMS DURING INSTALLATION OF THE FAN, THE INSTALLER MUST CONTACT THE CEILING FAN SUPPLIER HELP LINE BEFORE LEAVING THE SITE.